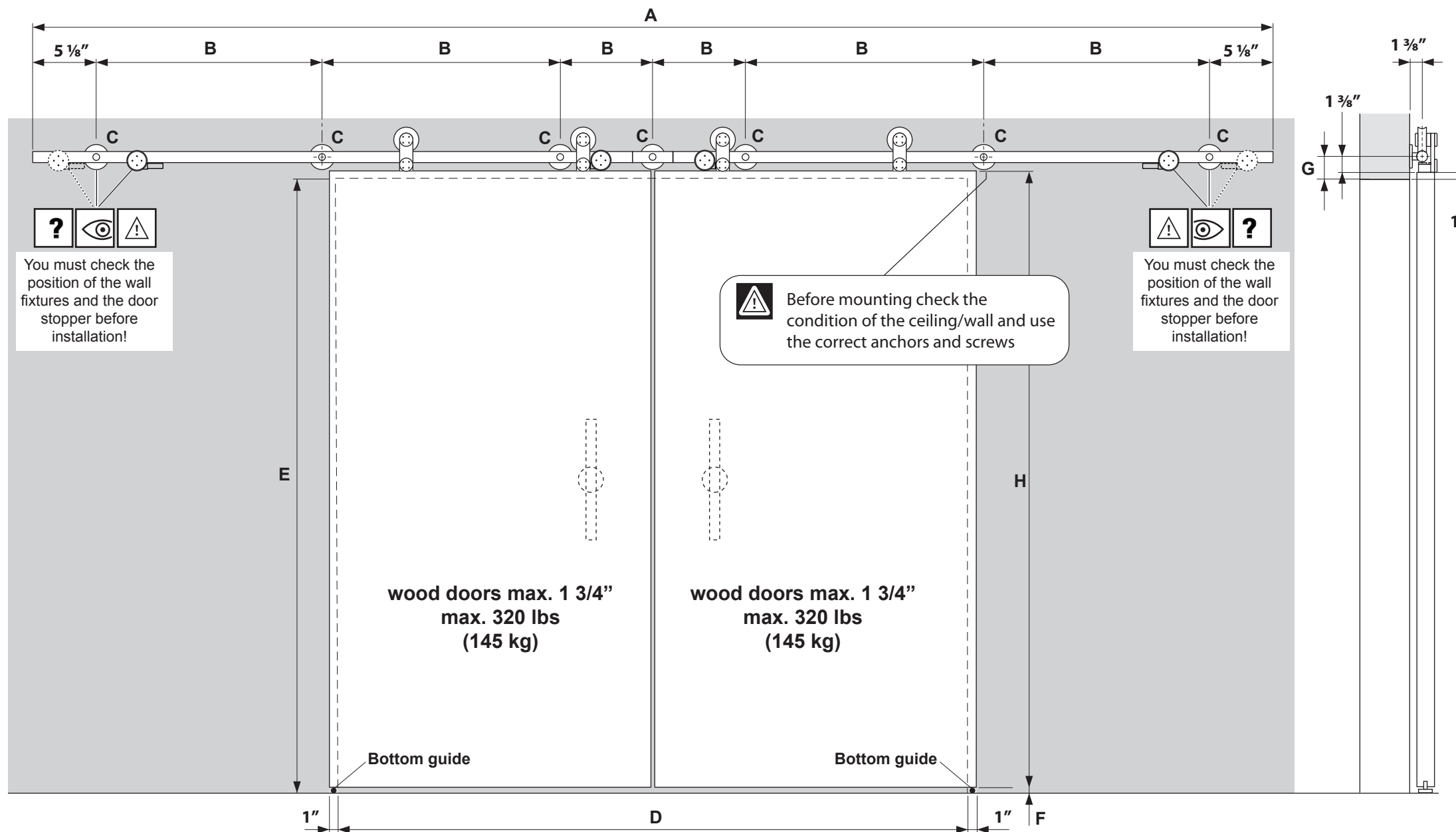


Installation instructions

Sliding door fittings **Flatec II**

for 2 leaf wood doors (1-7/16" - 1-3/4") with Soft-Tec Stopper



Complete-Set's

A Inch	B Inch	C each	D Inch	E max.Inch	F Inch	G Inch	H max. Inch (H = E - F + 1")
118 1/8"	26 15/16"	5	55 1/8" - 59"	98 7/16"	1/4" - 3/8"	2 3/8"	99 1/8"
144"	22 5/16"	7	59" - 70 7/8"	98 7/16"	1/4" - 3/8"	2 3/8"	99 1/8"
192"	22 3/4"	9	78 3/4" - 94 1/2"	98 7/16"	1/4" - 3/8"	2 3/8"	99 1/8"

ABP beyerle

Beyerle US L.L.C.

5126 South Royal Atlanta Drive, Tucker, GA 30084, USA

Phone (770) 349 - 6324, Fax (770) 934 - 3384, mail: info@beyerle-us.com, www.beyerle-us.com

Right to make technical changes reserved - Dimensions in inch - Version 09.2018
© by ABP-Beyerle GmbH

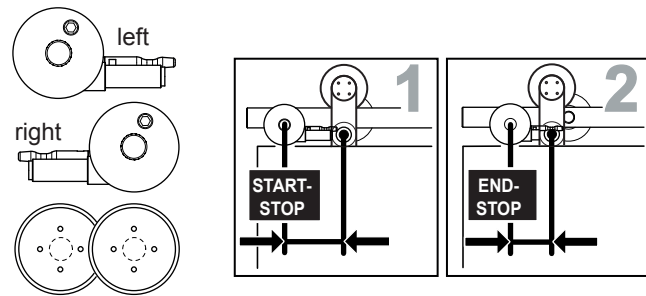
ABP beyerle

1 Set sliding door fittings Flatec II

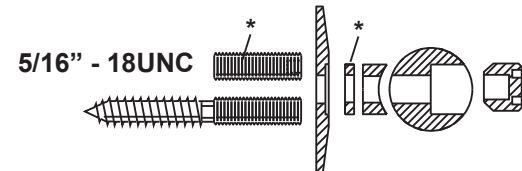
2 Guide rail with coupling



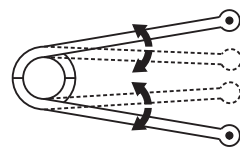
3 Door stoppers Soft-Tec



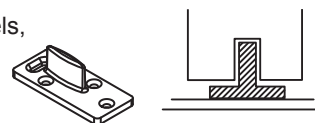
5 Wall fixtures
(without screws and dowels, at construction site)



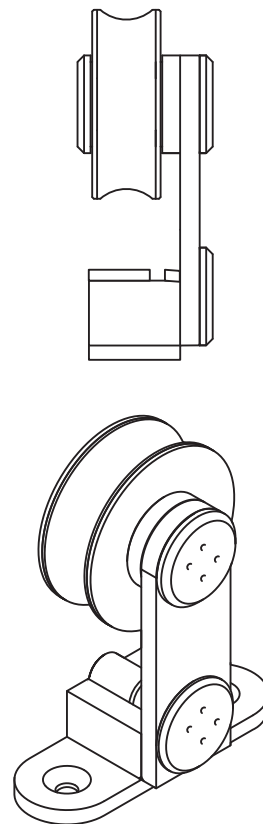
6 Special tool



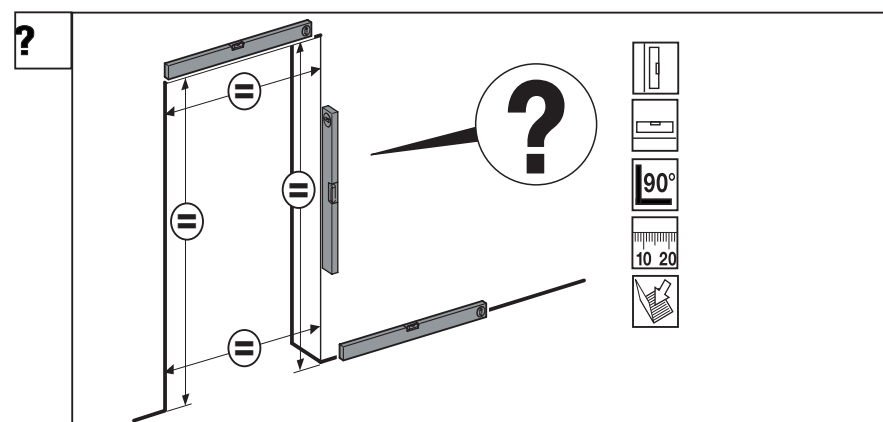
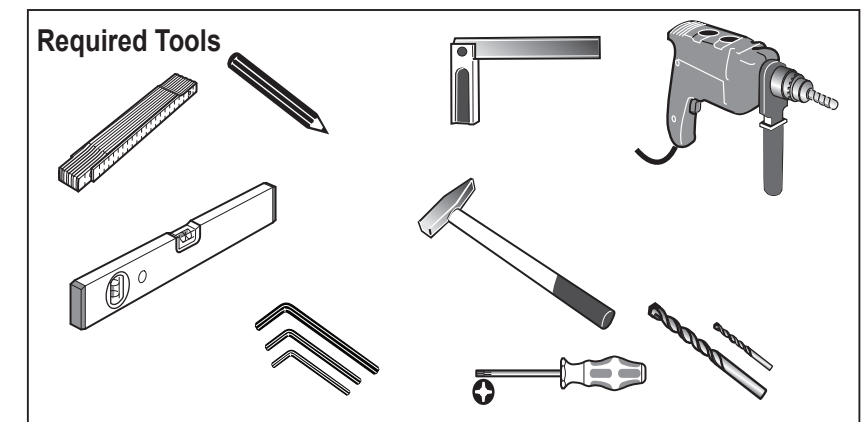
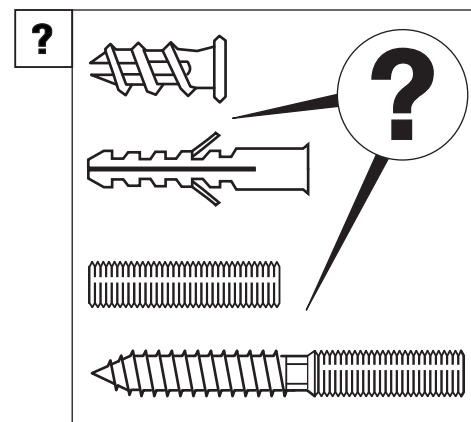
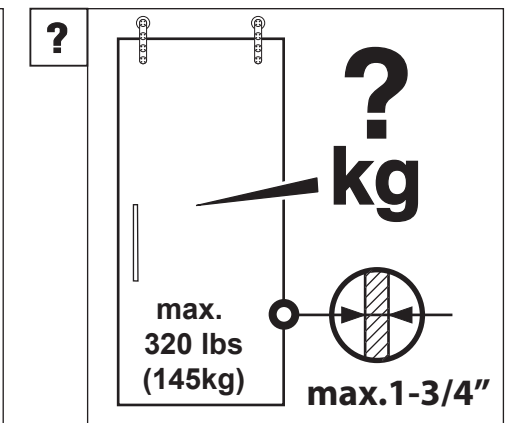
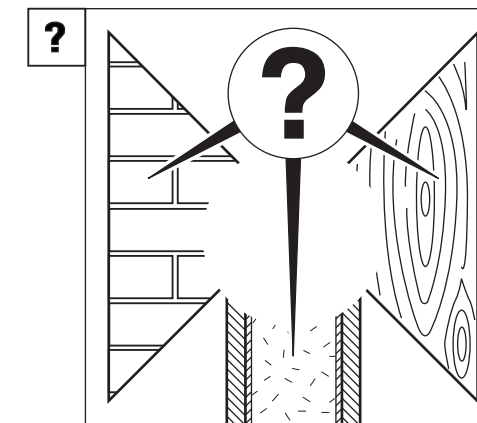
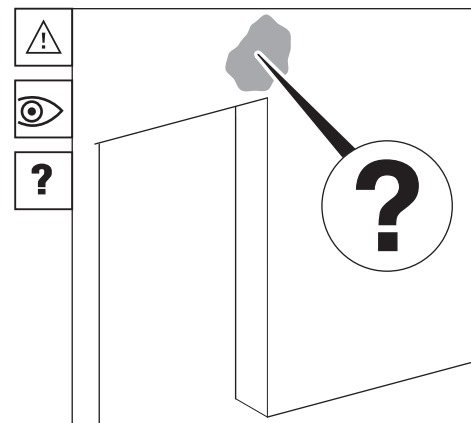
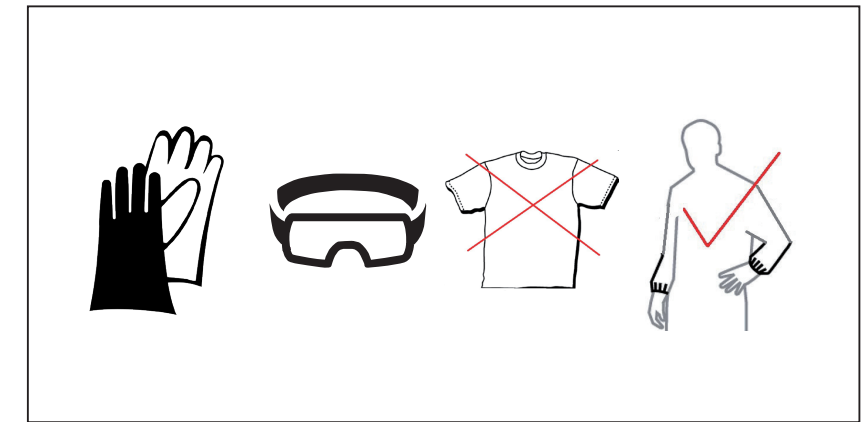
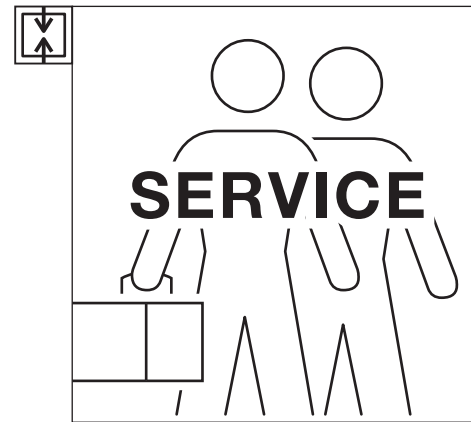
7 Bottom guide
(without screws and dowels, at construction site)



4 Trolley complete



- Attention
- Screw on
- Screw on
- Screw on
- Loosen/Tighten
- Install
- At right angle
- Drill
- Dowels
- Adjust Set
- Level
- Perpendicular
- Measure Mark
- Visual inspection
- Special-tool
- 2 people required
- Measure
- Clarify questions
- See Instructions
- Secure



Comply with all general safety regulations when installing the sliding door fittings!

Installation to be completed by qualified licensed contractor.

Be sure to tighten all screw connections one week after starting to use the sliding door fittings!

Never use scouring agents to clean the sliding door fittings; rather use commercially available stainless-steel cleaners!

Set Flatec II	Set / Each					
1 track rail length	2	3	4	5	6	7
118 1/8"	1	4	4	5	1	2
144"	1	4	4	7	1	2
192"	1	4	4	9	1	2

Beyerle US L.L.C., ABP-Beyerle, its subsidiaries and agents are not responsible or liable for damage or injury to any persons or property due to improper installation of its products. All liabilities reside solely with the installer.

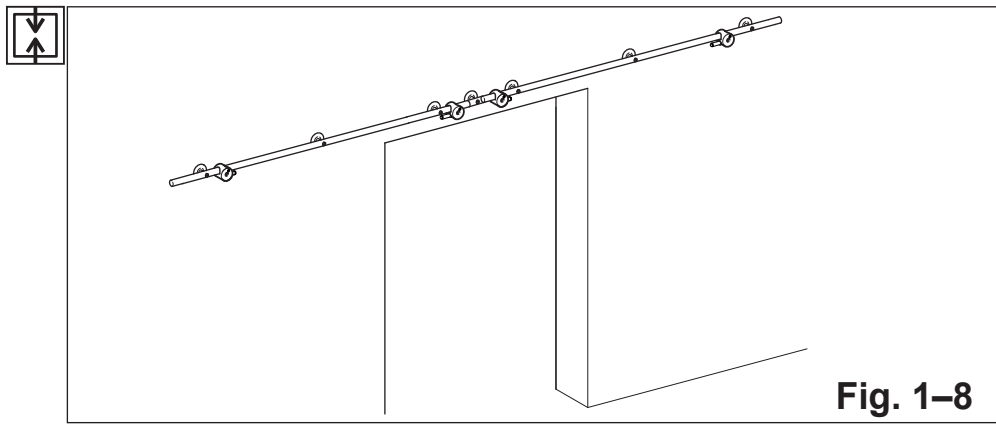


Fig. 1-8

Fig. 1

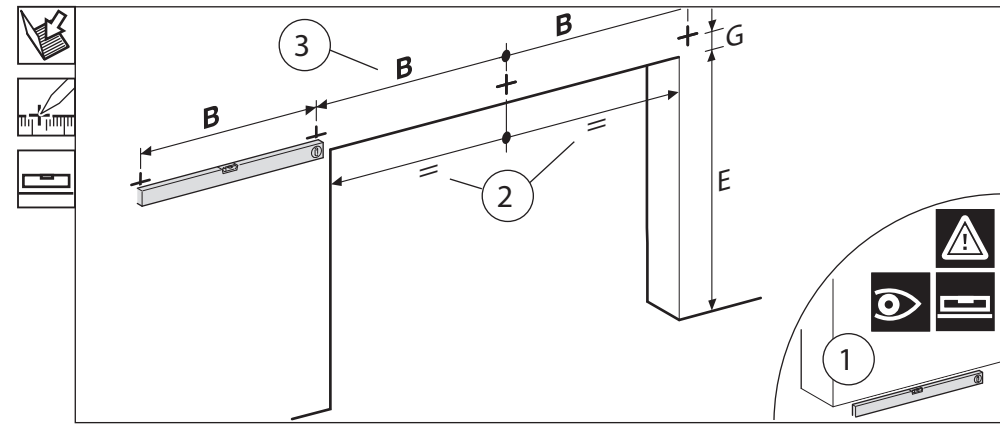


Fig. 2

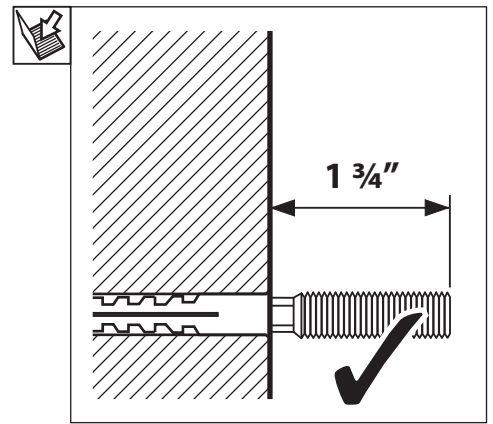


Fig. 3

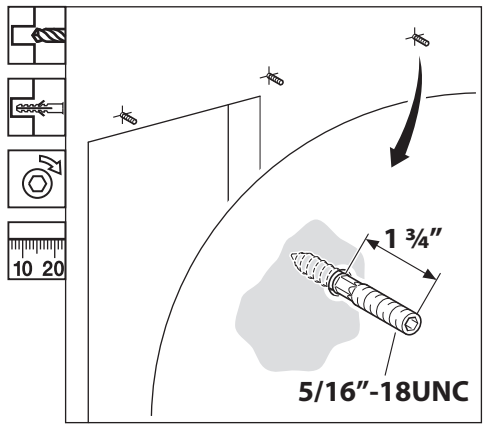


Fig. 4

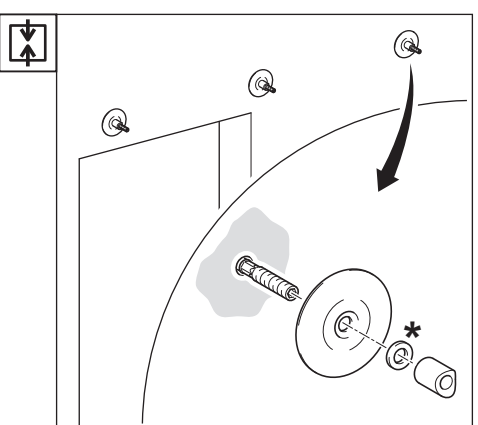


Fig. 5

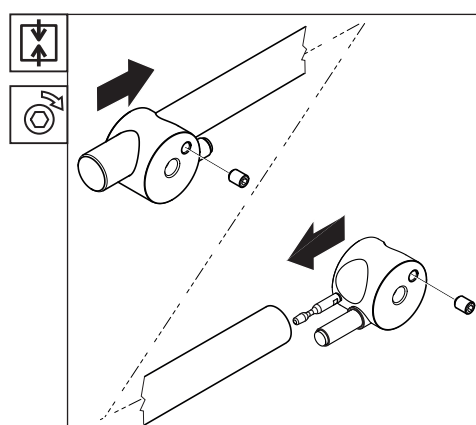


Fig. 6

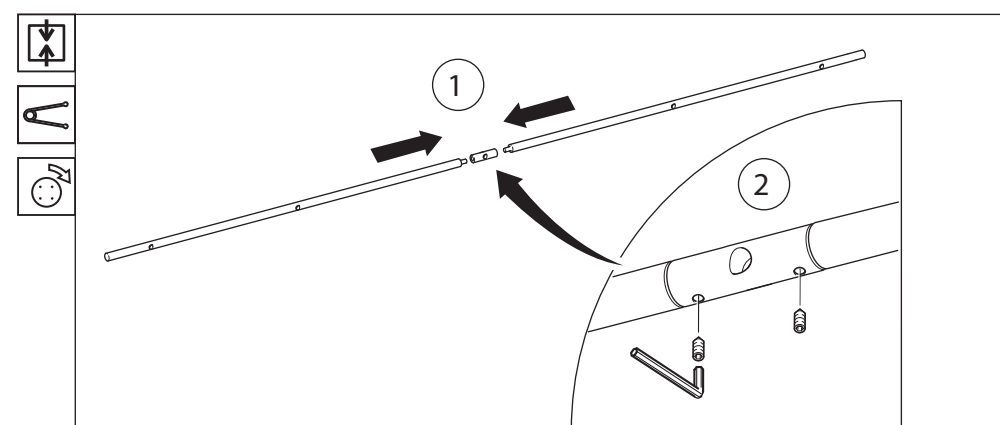


Fig. 7

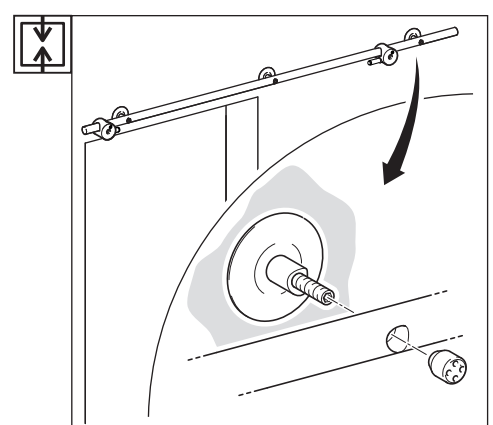


Fig. 8

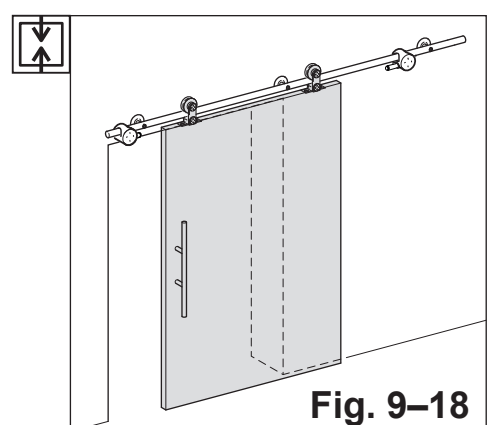


Fig. 9-18

Fig. 9

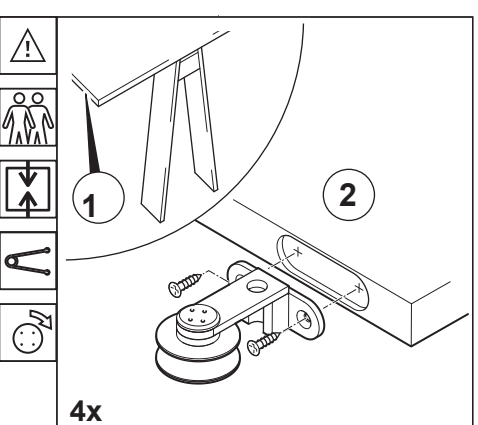


Fig. 10

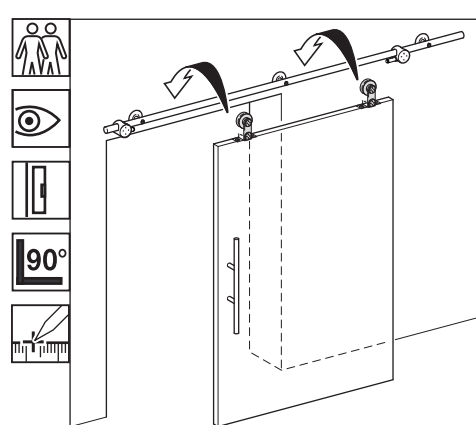


Fig. 11

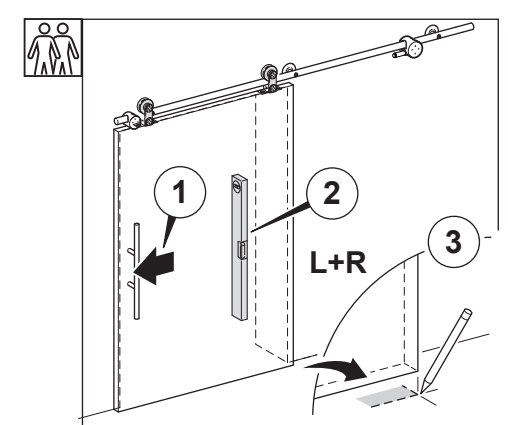


Fig. 12

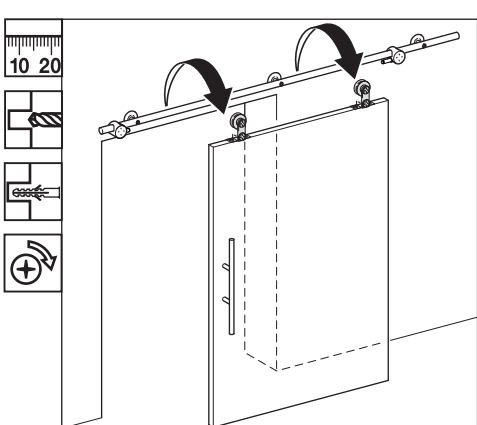


Fig. 13

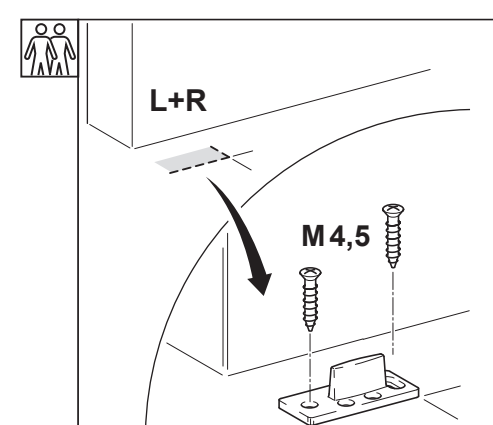


Fig. 14

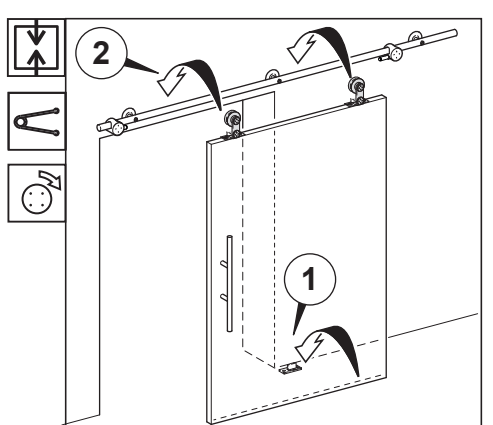


Fig. 15

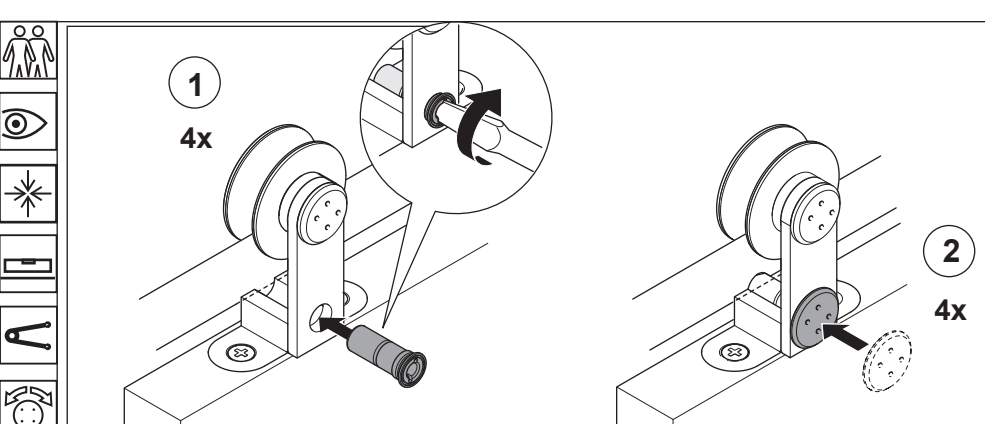


Fig. 16

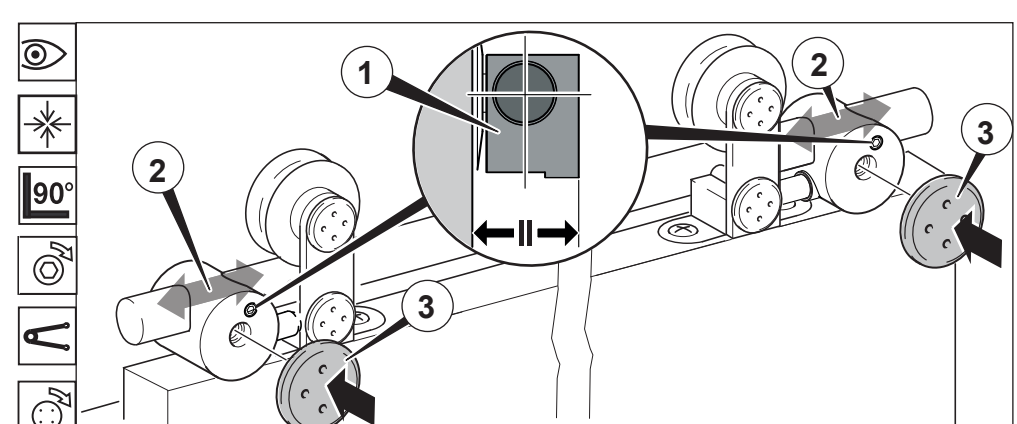


Fig. 17

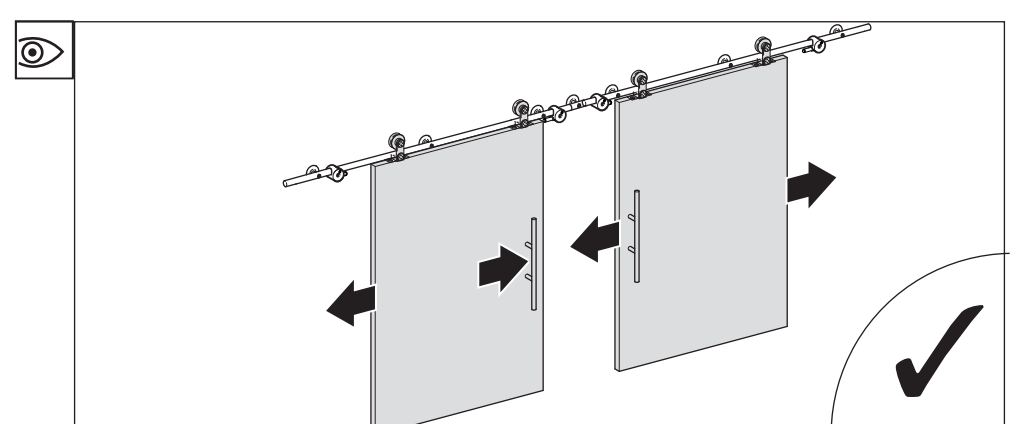


Fig. 18